

## KITCHEN SINK

KS1056SS12SS



### Description

- 304 Stainless Steel
- 16 Gauge
- Zero Radius corners
- 27"x19"x9"
- Sound deadening pads on sides and bottom of Sink

### Codes/Standards Applicable

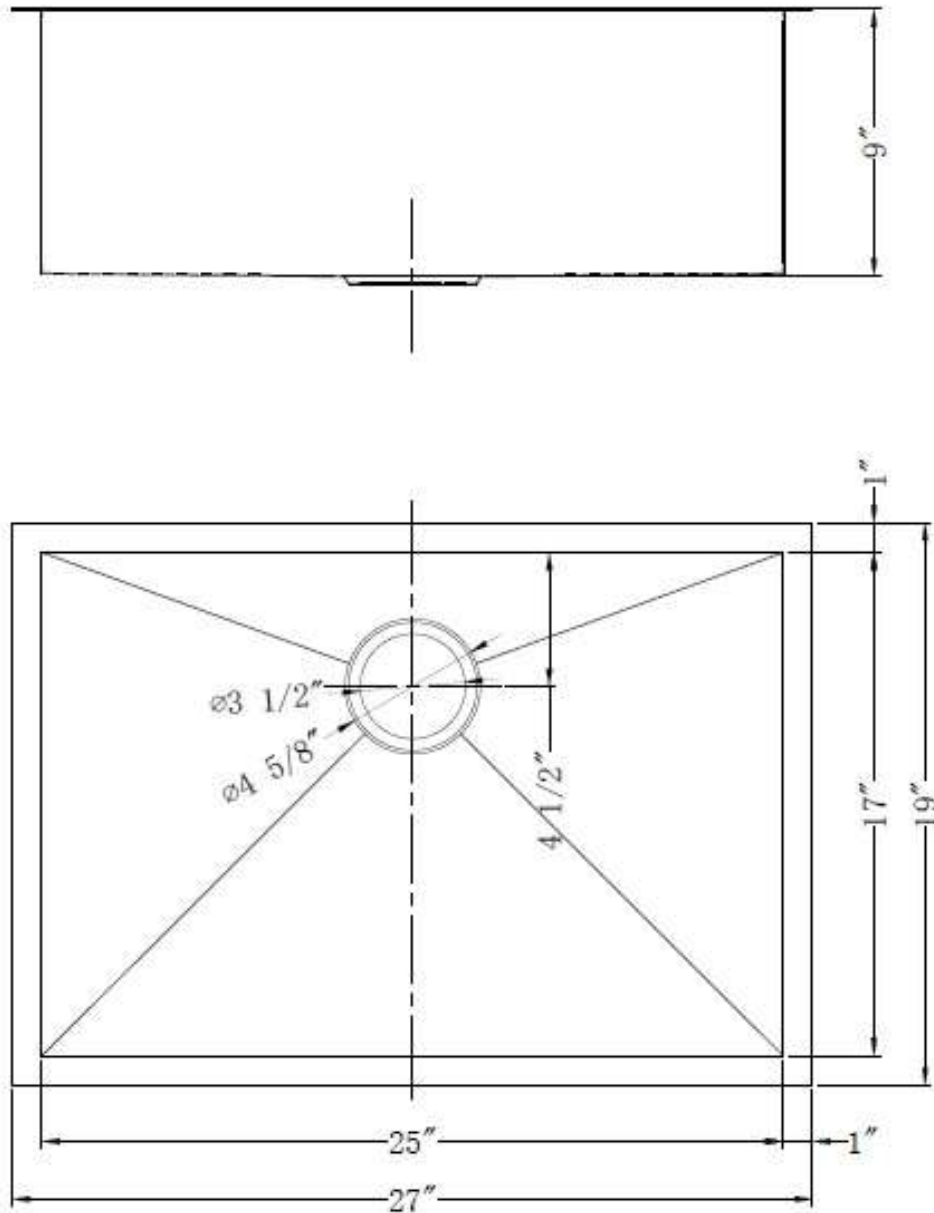
Specified model meets or exceeds the following:

- ASME A112.19.3

### Colors/Finishes

- Stainless Steel

**KITCHEN SINK**  
KS1056SS12SS



**Product Diagram**