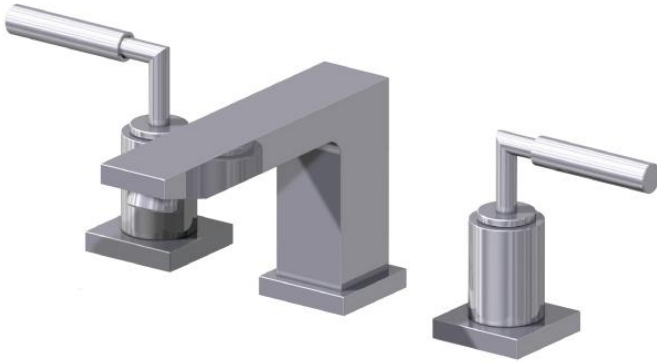


LAVATORY FAUCET

LF1143BR2-4PC



Description

- All Brass Material
- Deck Mount Lav Faucet
- Lever Handles

Codes/Standards Applicable

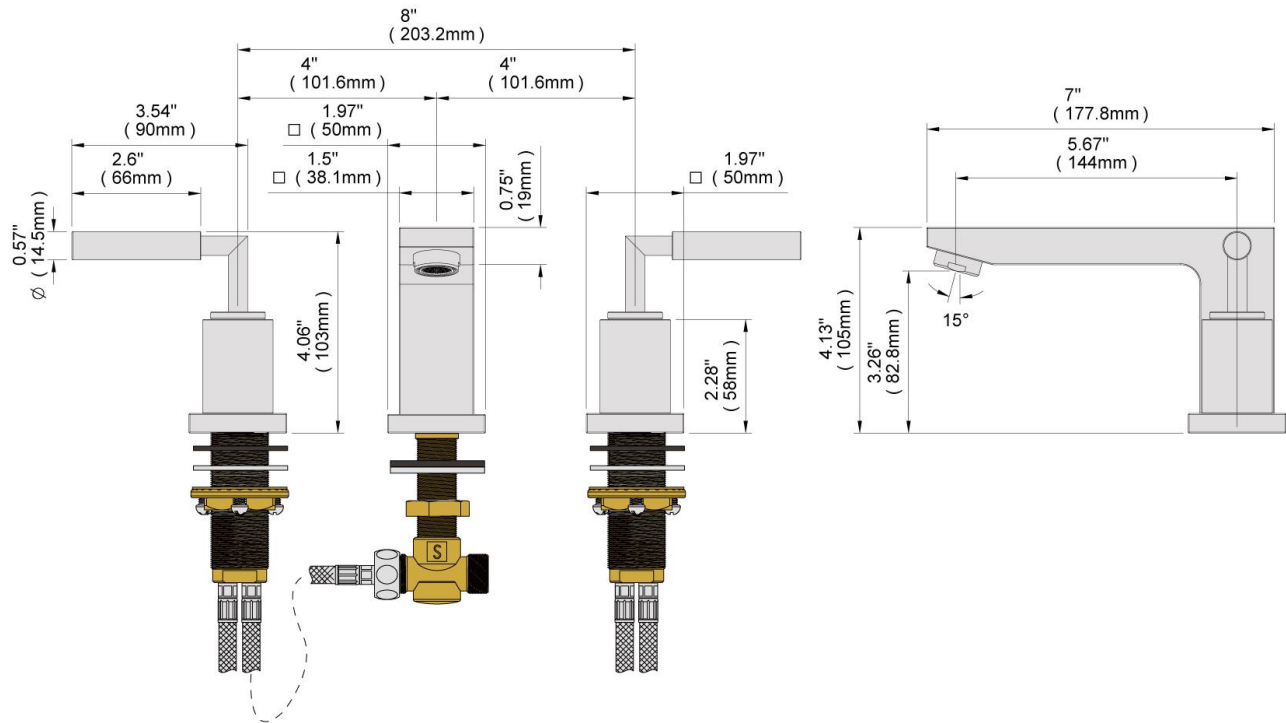
Specified model meets or exceeds the following:

- ASME A112.18.1
- 1.5 GPM at 60 PSI
- ADA Compliant

Colors/Finishes

- Polished Chrome
- Brushed Chrome
- Polished Nickel
- Satin Nickel

LAVATORY FAUCET
LF1143BR2-4PC



Product Diagram