

SHOWER HEAD

SH1031BR13PC



Description

- All Brass Material
- 6" round shower head
- Single function

Codes/Standards Applicable

Specified model meets or exceeds the following:

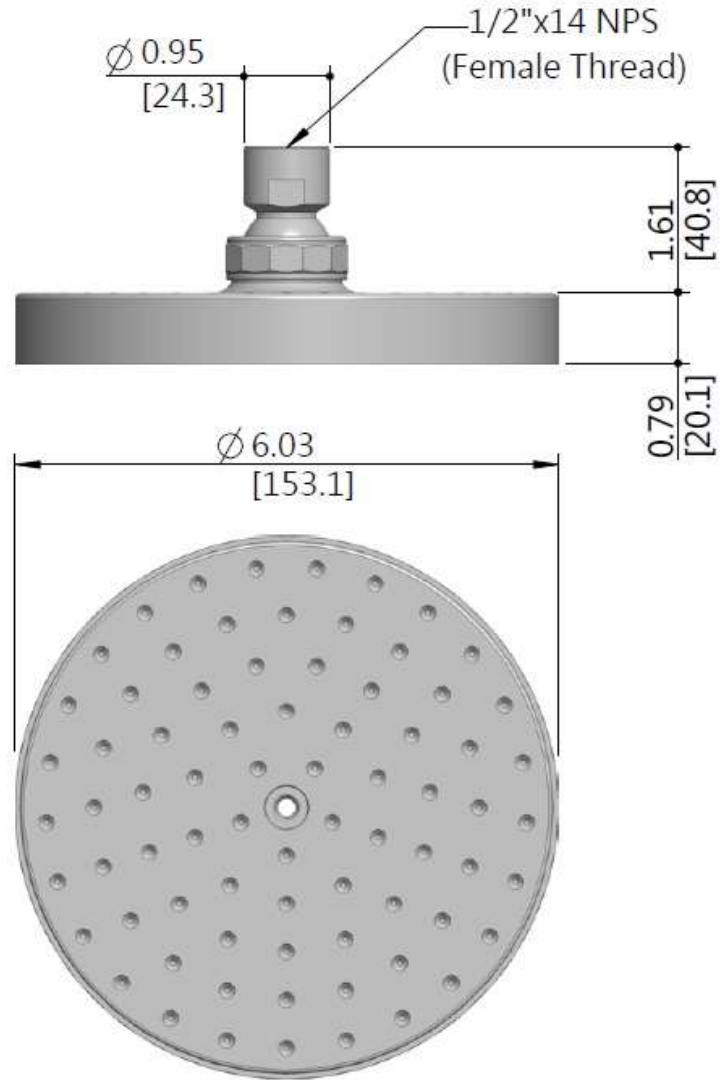
- ASME/ANSI A112.18.1M
- 2.0 GPM at 80 PSI

Colors/Finishes

- Polished Chrome
- Brushed Chrome
- Polished Nickel
- Satin Nickel

SHOWER HEAD

SH1031BR13PC



Product Diagram