

## SHOWER HEAD

SH1069BR13PC



### Description

- Brass material
- Square Shower head

### Codes/Standards Applicable

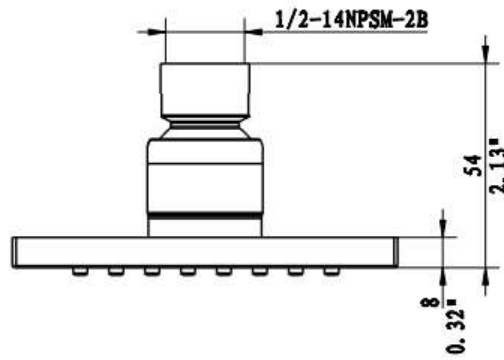
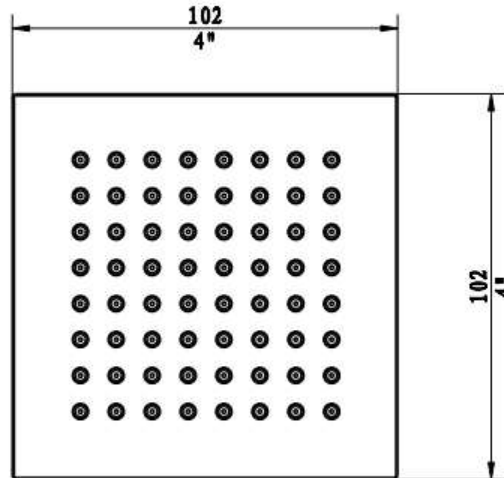
Specified model meets or exceeds the following:

- ASME A112.18.1
- 2.0 GPM at 80 PSI

### Colors/Finishes

- Polished Chrome
- Brushed Chrome
- Polished Nickel
- Satin Nickel

**SHOWER HEAD**  
SH1069BR13PC



**Product Diagram**