

## SHOWER HEAD

SH1079BR13PC



### Description

- Brass and ABS Material
- Single Function
- Rubber nozzles for easy cleaning

### Codes/Standards Applicable

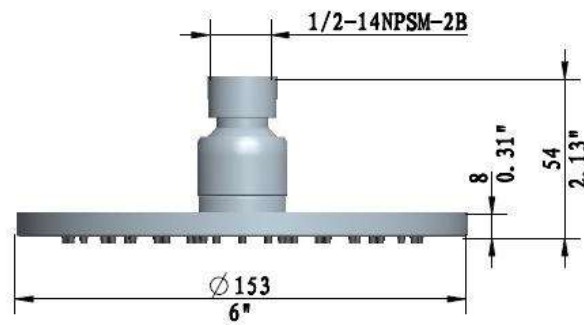
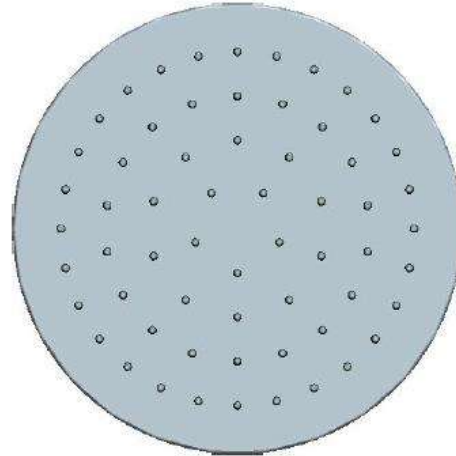
Specified model meets or exceeds the following:

- ASME A112.18.1
- 2.0 GPM at 80 PSI

### Colors/Finishes

- Polished Chrome
- Brushed Chrome
- Polished Nickel
- Satin Nickel

**SHOWER HEAD**  
SH1079BR13PC



**Product Diagram**