

**SHOWER HEAD**  
SH1081BR13PC



**Description**

- Brass Material

**Codes/Standards Applicable**

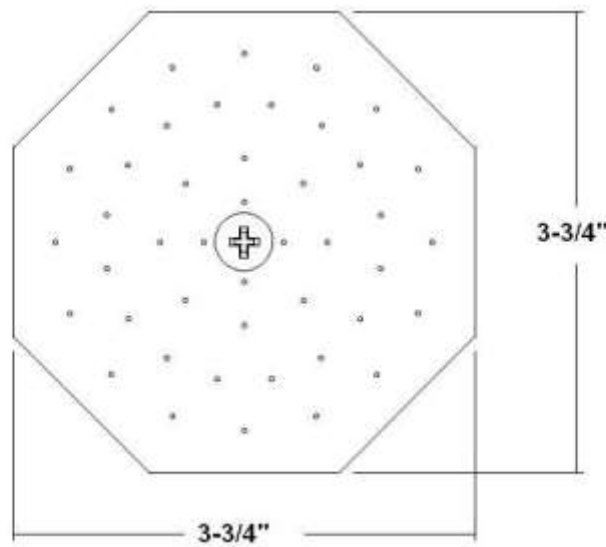
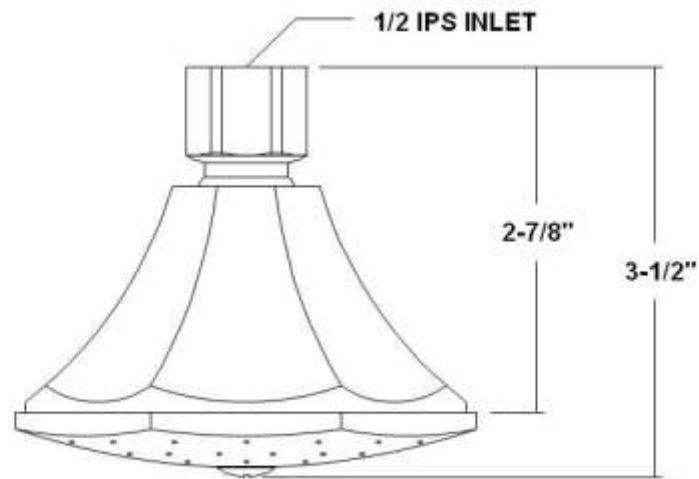
Specified model meets or exceeds the following:

- ASME A112.18.1
- 2.0 GPM at 80 PSI

**Colors/Finishes**

- Polished Chrome
- Brushed Chrome
- Polished Nickel
- Satin Nickel

**SHOWER HEAD**  
SH1081BR13PC



**Product Diagram**