

**SHOWER TRIM**  
STWOD1036BR8PC



**Description**

- Brass Material
- Custom etching on face plate available

**Codes/Standards Applicable**

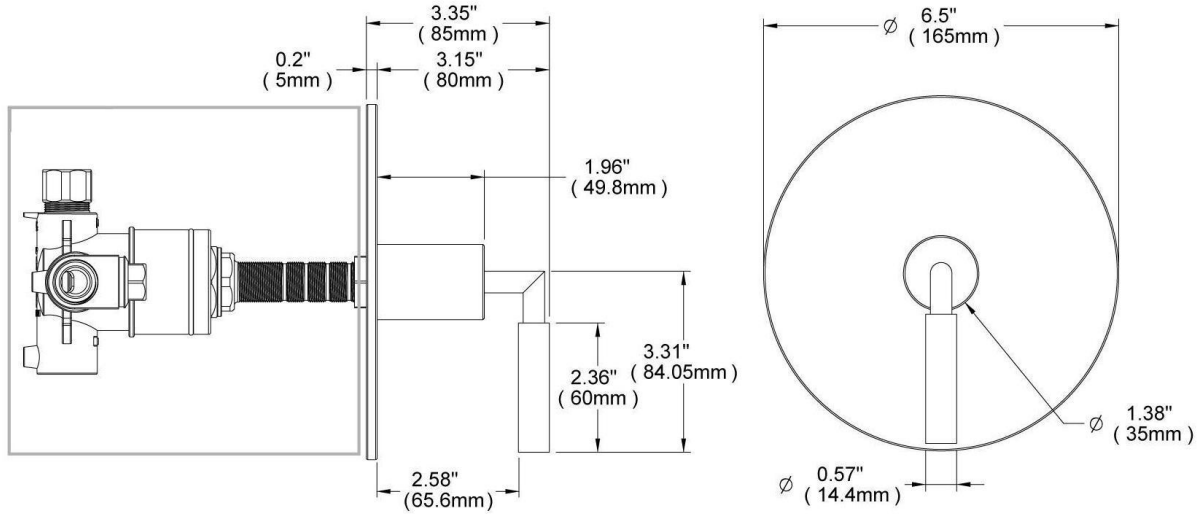
Specified model meets or exceeds the following:

- ASME/ANSI A112.18.1M
- ADA Compliant

**Colors/Finishes**

- Polished Chrome
- Brushed Chrome
- Polished Nickel
- Satin Nickel

**SHOWER TRIM**  
STWOD1036BR8PC



**Product Diagram**