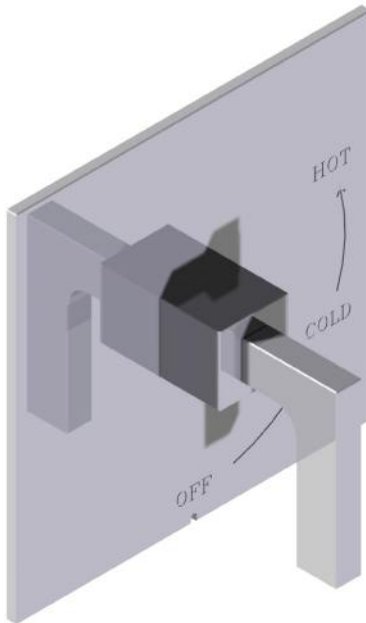


SHOWER TRIM STWOD1051BR8PC



Description

- All brass material
- Square face plate
- Solid brass lever handle

Codes/Standards Applicable

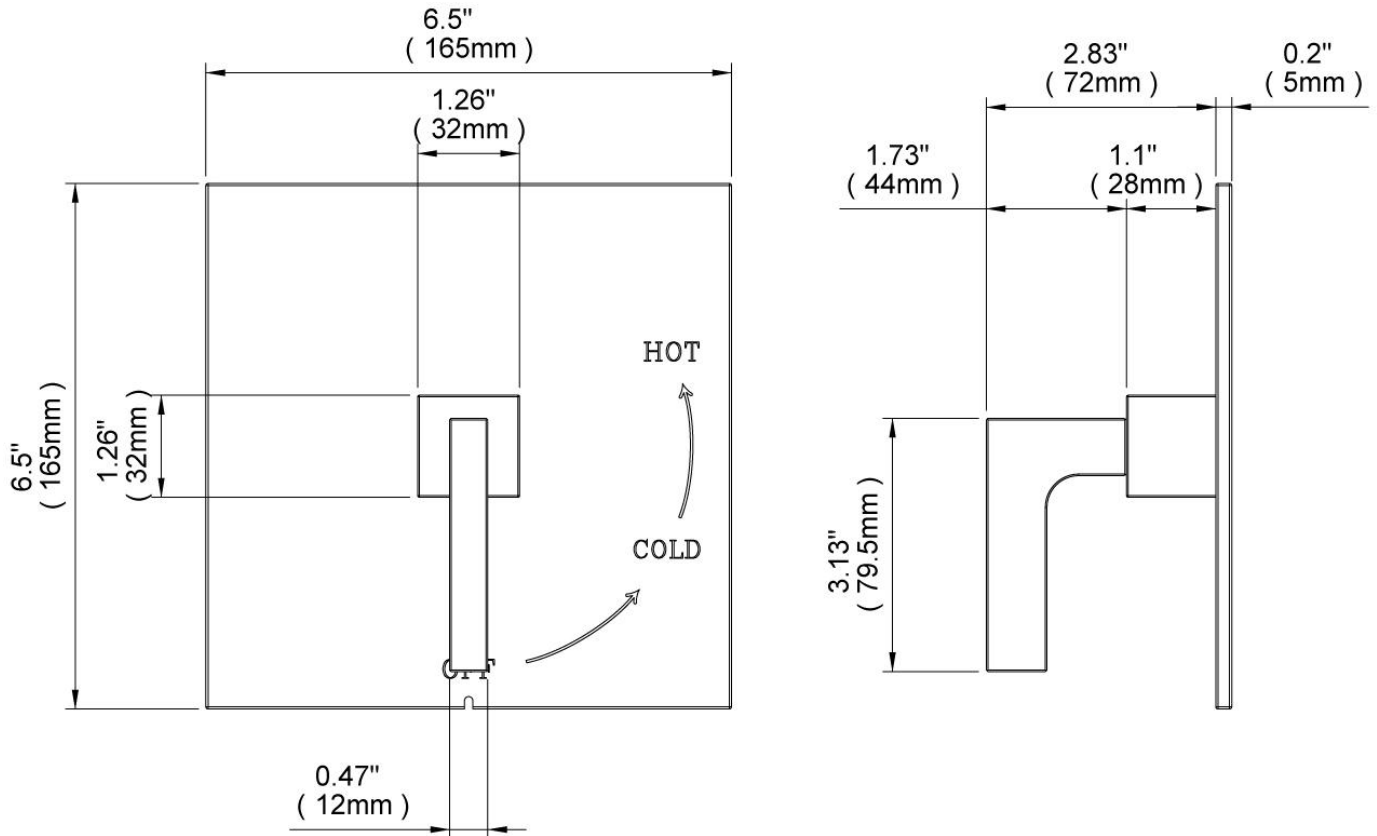
Specified model meets or exceeds the following:

- ASME/ANSI A112.18.1M
- ADA Compliant

Colors/Finishes

- Polished Chrome
- Brushed Chrome
- Polished Nickel
- Satin Nickel

SHOWER TRIM
STWOD1051BR8PC



Product Diagram