

TUB & SHOWER TRIM

TD1045BR8PC



Description

- Brass Material
- Etching available upon request

Codes/Standards Applicable

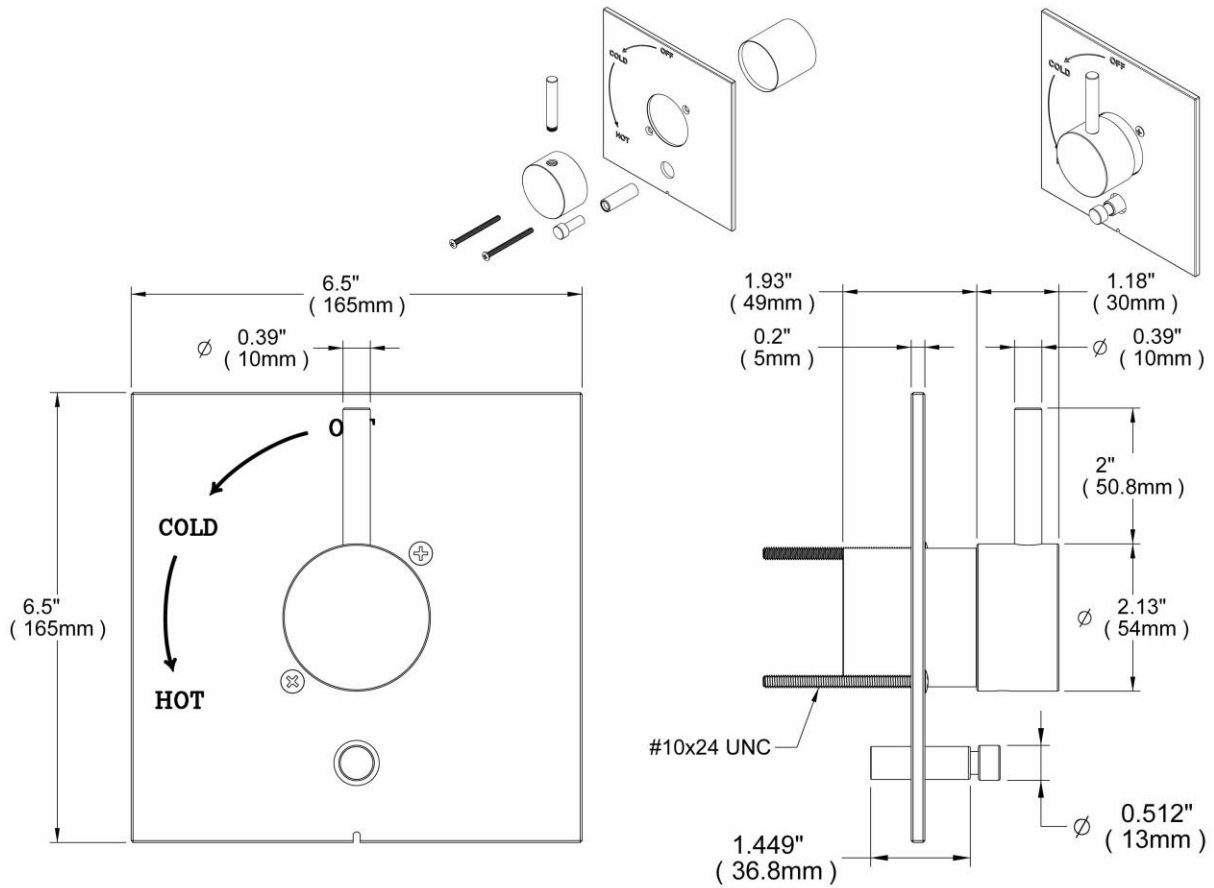
Specified model meets or exceeds the following:

- ASME/ANSI A112.18.1M
- ADA Compliant

Colors/Finishes

- Polished Chrome
- Brushed Chrome
- Polished Nickel
- Satin Nickel

TUB & SHOWER TRIM
TD1045BR8PC



Product Diagram