

**Handheld Shower**  
HH1030BR19PC



**Description**

- Solid Brass
- Single function handheld

**Codes/Standards Applicable**

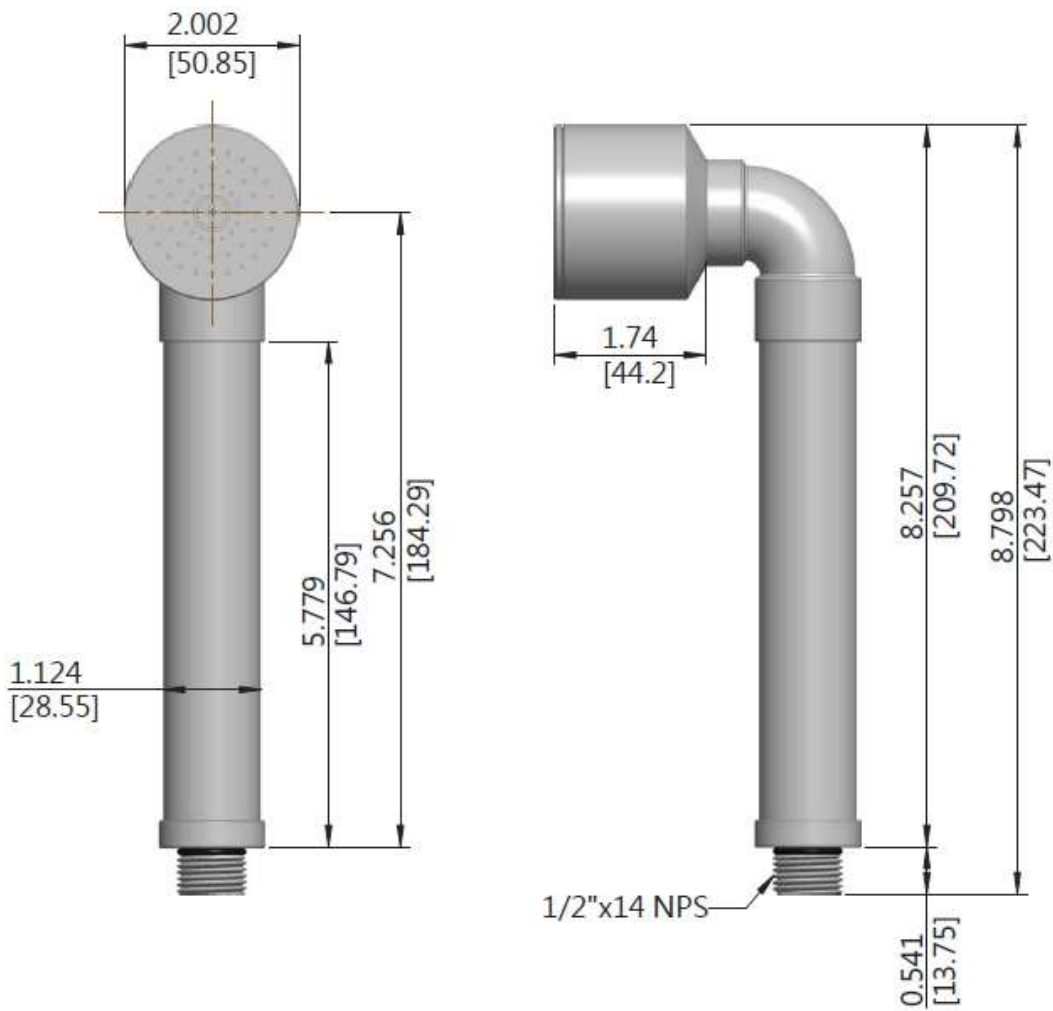
Specified model meets or exceeds the following:

- ASME/ANSI A112.18.1M
- 2.0 GPM at 80 PSI

**Colors/Finishes**

- Polished Chrome
- Brushed Chrome
- Polished Nickel
- Satin Nickel

Handheld Shower  
HH1030BR19PC



Product Diagram