

**HAND HELD SHOWER**

HH1038BR19PC



**Description**

- Brass Material
- Single Function

**Codes/Standards Applicable**

Specified models meets or exceeds the following:

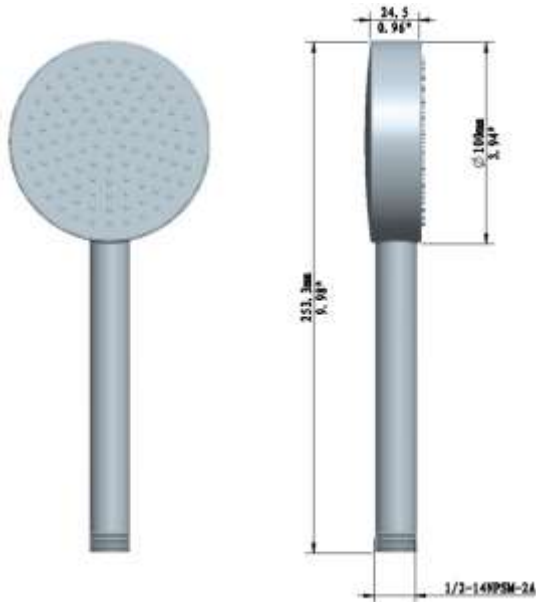
- ASME/ANSI A112.18.1M
- 2.0 GPM at 80 PSI

**Colors/Finishes**

- Polished Chrome
- Brushed Chrome
- Polished Nickel
- Oil Rubbed Bronze

**Hand Held Shower Series**

**HAND HELD SHOWER**  
HH1038BR19PC



**PRODUCT DIAGRAM**