

LAVATORY
LV1069CE2



Description

- Ceramic
- 26 5/8" x 16 1/2"
- Three hole

Codes/Standards Applicable

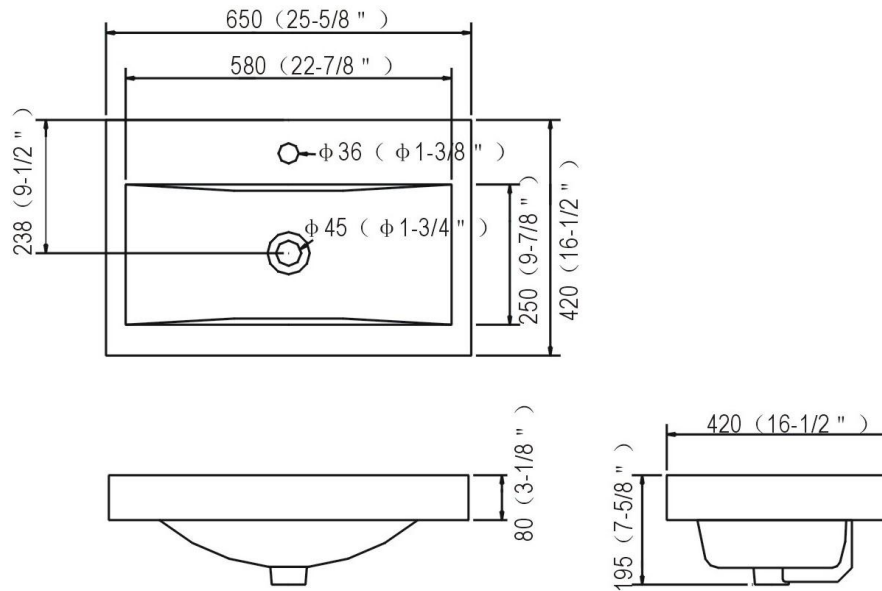
Specified model meets or exceeds the following:

- ASME A112.19.2

Colors/Finishes

- Ceramic
- White

LAVATORY
LV1069CE2



Product Diagram